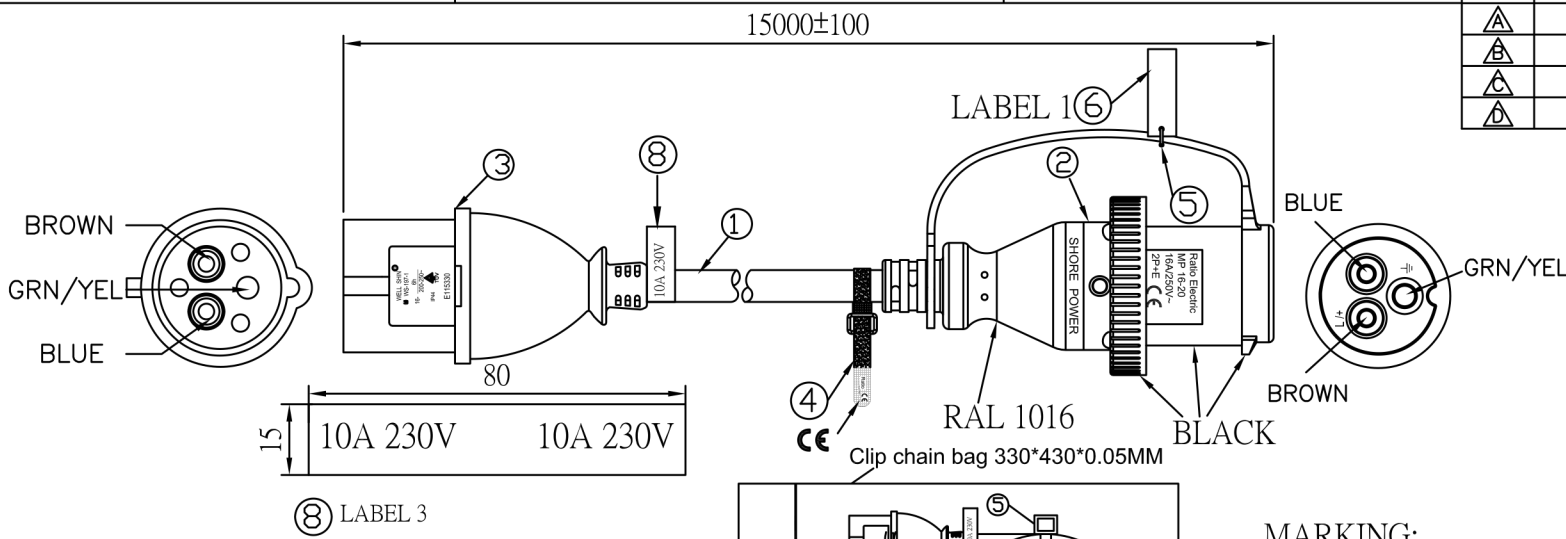


CUSTOMER: P/N: 2801 REV. . APPROVED BY:

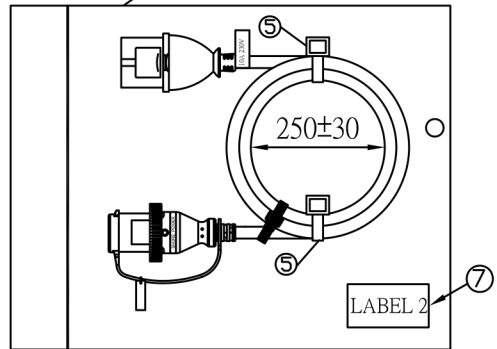
REVISIONS		
REV.	DESCRIPTION	DATE
△		
△		
△		
△		



NOTES:

MARKING:

WELL SHIN®
 M WS-197-1
 6h
 16- 200-250~
 IP44
 E115330



MARKING:

Ratio Electric
 MP 16-20
 16A/250V~
 2P+E

MARKING:

IP44

63.5mm

Shore Power Cordset
 3*1.50mm² 15M PUR
 Ratio Electric P/N 2801

38.1mm

5mm(min)

⑧	LABEL 3		1
⑦	LABEL 2		1
⑥	LABEL 1		1
⑤	Cable ties		2
④	Velcro		1
③	WS-197-1, APPROVAL: TUV,UL,CUL	BLUE	1
②	WS-EM-182, APPROVAL: CE	AS DRAWING	1
①	H07BQ-F 3G 1.50MM ²	RAL 1016	1
ITEM	DESCRIPTION	COLOR	QTY

SIGNATURE		Ratio Electric B.V.		
SAFETY ENGINEER:		www.ratio-electric.com		
MANAGER BY:		PRODUCT NO.: WS-197-1+WS-EM-182	DATE: 2014/07/25	
CHECKED BY:		UNIT: mm	SHEET: 1 OF 1	REV.
DRAWN BY:		DWG NO: 0318-0087		D