

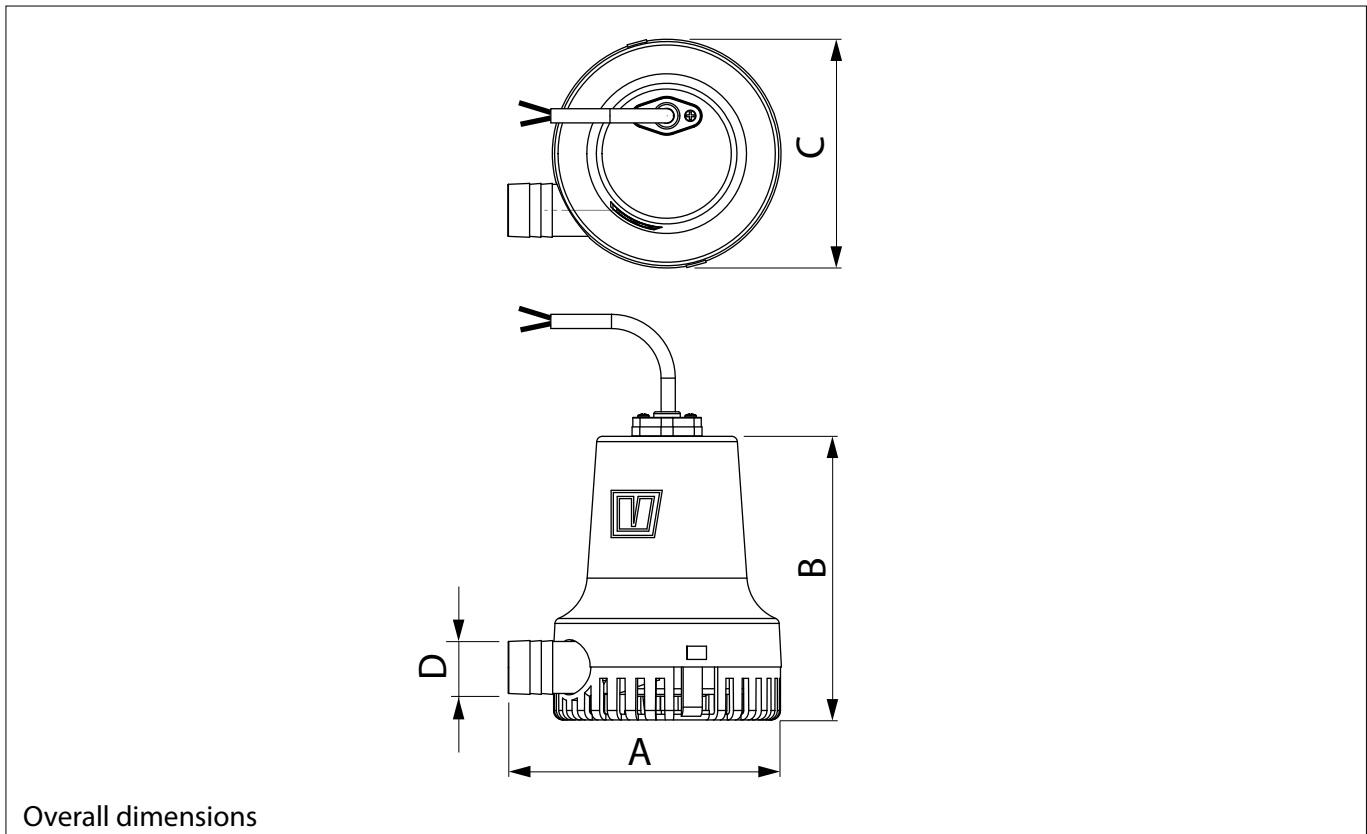
- Pump** : Electrically operated direct-current bilge pump
- Application** : Removing bilge water from small craft with a hull length up to 24 m.
- Features** : Durable snap connection for easy cleaning
 Double seals for a long life time
 Internal components in contact with bilge water are corrosion resistant or made of stainless steel
 Silent running and smooth operation, May run dry without damage,
 Suitable for continuous duty cycle
 Suitable for fresh, salt water and other fluids which may normally present in the bilge
- Construction** : Centrifugal pump with permanent magnet DC motor
- Material, pump housing** : Plastic
- impeller** : plastic
- Protection** : IP 67
- Length connection cable** : 1.2 m (4 ft)
- Temperature** : Suitable for use in the range 0 to 50 degrees C. (32 to 122 degrees F.)
- Relevant CE Standards** : EN 55014-1, -2 (EMC - Emission, Immunity)
 EN ISO 15083 (RCD - Bilge pump systems), ISO 8846 Marine (Ignition protection)
- Certification** : DCI-RCD
- Classification** : Non

Specifications,

Type		BLP12500	BLP121000	BLP122000	BLP123000
Voltage, nominal		12 V DC			
Current, with a voltage of 13.6 V and a discharge head of 0 m (0 ft)		4.5 A	4.5 A	9 A	13 A
with a voltage of 13.6 V and a maximum discharge head		3 A	3 A	6 A	9 A
Capacity with 13.6 V and rise of	0 m (0 ft)	40 l/min (530 GPH Imp) (635 GPH US)	50 l/min (660 GPH Imp) (795 GPH US)	110 l/min (1450 GPH IMP) (1745 GPH US)	160 l/min (2110 GPH IMP) (2535 GPH US)
	1 m (3.3 ft)	40 l/min (530 GPH Imp) (635 GPH US)	50 l/min (660 GPH Imp) (795 GPH US)	105 l/min (1385 GPH IMP) (1665 GPH US)	150 l/min (1980 GPH IMP) (2380 GPH US)
	2 m (3.7 ft)	37 l/min (490 GPH Imp) (585 GPH US)	43 l/min (570 GPH Imp) (680 GPH US)	70 l/min (925 GPH IMP) (1110 GPH US)	125 l/min (1650 GPH IMP) (1980 GPH US)
Maximum rise		4 m (13 ft)	4 m (13 ft)	4 m (13 ft)	5 m (16 ft)
Connections for hose		19 mm (3/4")	28.5 mm (1 1/8")	28.5 mm (1 1/8")	32 mm (1 1/4")
Strainer, max. particle size		3 mm (1/8")		5 mm (3/16")	4.5 mm (3/16")
Weight		0.65 kg (1 lbs 7 oz)	0.65 kg (1 lbs 7 oz)	1.25 kg (2 lbs 12 oz)	2.2 kg (4 lbs 14 oz)

24 V types on next page.

Type		BLP24500	BLP242000	BLP243000
Voltage, nominal		24 V DC		
Current, with a voltage of 27.2 V and a discharge head of 0 m (0 ft)		2.6 A	4.9 A	6.5 A
	with a voltage of 27.2 V and a maximum discharge head	2.4 A	3.5	6 A
Capacity with 27.2 V and rise of	0 m (0 ft)	40 l/min (530 GPH Imp) (635 GPH US)	111 l/min (1464 GPH IMP) (1758 GPH US)	147 l/min (1938 GPH IMP) (2328 GPH US)
	1 m (3.3 ft)	40 l/min (530 GPH Imp) (635 GPH US)	110 l/min (1450 GPH IMP) (1745 GPH US)	136 l/min (1794 GPH IMP) (2154 GPH US)
	2 m (3.7 ft)	38 l/min (510 GPH Imp) (600 GPH US)	88 l/min (1170 GPH IMP) (1392 GPH US)	128 l/min (1686 GPH IMP) (2028 GPH US)
Maximum rise		4 m (13 ft)	4 m (13 ft)	5 m (16 ft)
Connections for hose		19 mm (3/4")	28.5 mm (1 1/8")	32 mm (1 1/4")
Strainer, max. particle size		3 mm (1/8")	5 mm (3/16")	4.5 mm (3/16")
Weight		0.65 kg (1 lbs 7 oz)	1.25 kg (2 lbs 12 oz)	2.2 kg (4 lbs 14 oz)



	A		B		C		D	
BLP12500	115	(4 1/2")	120	(4 3/4")	90	(3 9/16")	19	(3/4")
BLP24500							28.5	(1 1/8")
BLP121000							28.5	(1 1/8")
BLP122000	145	(5 11/16")	150	(5 7/8")	120	(4 3/4")	28.5	1 1/8"
BLP242000							28.5	1 1/8"
BLP123000	170	(6 11/16")	180	(7 1/16")	130	(5 1/8")	32	1 1/4"
BLP243000							32	1 1/4"