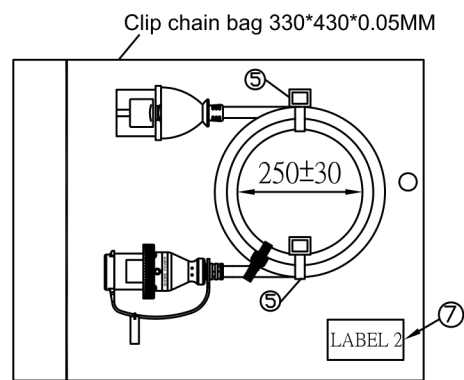
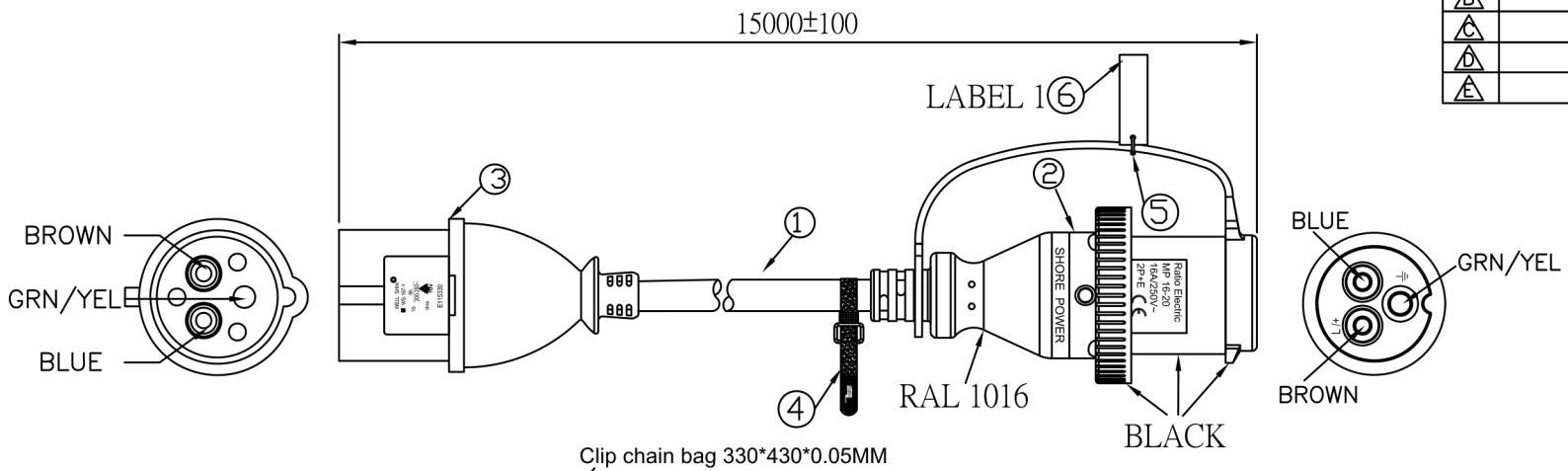
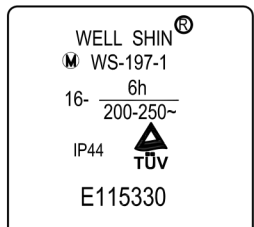


CUSTOMER: P/N: 2821 REV. . APPROVED BY:

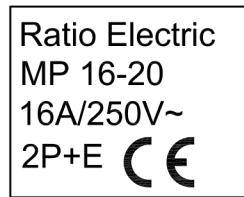
REVISIONS		
REV.	DESCRIPTION	DATE
△		
△		
△		
△		



**MARKING:**



**MARKING:**



**MARKING:**



ITEM	DESCRIPTION	COLOR	QTY
⑦	LABEL 2	---	1
⑥	LABEL 1	---	1
⑤	Cable ties	---	3
④	Velcro	---	1
③	WS-197-1, APPROVAL: TUV,UL,CUL	BLUE	1
②	WS-EM-182, APPROVAL: CE	AS DRAWING	1
①	H07BQ-F 3G 2.50MM²	RAL 1016	1

SIGNATURE		Ratio Electric B.V.		
SAFETY ENGINEER:		www.ratio-electric.com		
MANAGER BY:		PRODUCT NO.: WS-197-1+WS-EM-182	DATE: 2015/04/16	
CHECKED BY:		UNIT: mm	SHEET: 1 OF 1	REV.
DRAWN BY: 陳金德		DWG NO: 0318-0089		E