



Datasheet

WP-BC Supreme-Pro

Automatic battery chargers for professional use

- 24 VDC battery charger and/or power supply
- 4 models, ranging from 40 – 100 Amp
- Multiple-stage charge characteristic
- 3 DC outputs, with temp. sensor and automatic sensing
- Input voltage 90 – 265 VAC, auto-ranging
- Input frequency 50-60 Hz
- Ultra light and compact switched mode technology
- Full power up from -10 C to + 50 C ambient
- Designed according to industrial standards
- Smart Touch front panel with volt and amp meter
- Advanced alarms low-high AC/ DC & earth fault
- Class B EMC / RFI suppression
- Fitted with all relevant analogue, digital monitoring & control options
- Connection technology in accordance with ABYC, CE – IEC60945





Generating Confidence

Battery Charger Supreme Pro



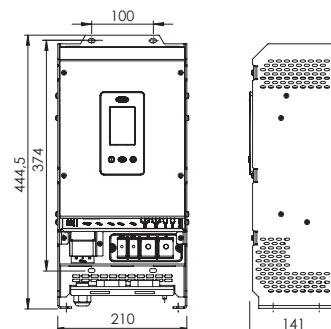
Art. nr.	24/40-3	24/60-3	24/80-3	24/100-3
60205440	60205460	60205480	60205401	
GENERAL SPECIFICATIONS				
Nominal input voltage	120/230 V (90-265 V)	120/230 V (90-265 V)	120/230 V (90-265 V)	120/230 V (90-265 V)
Nominal input frequency	50/60 Hz (45-65 Hz)	50/60 Hz (45-65 Hz)	50/60 Hz (45-65 Hz)	50/60 Hz (45-65 Hz)
Nominal output voltage	24 V	24 V	24 V	24 V
Total charge current	40 A @ 28.8 V	60 A @ 28.8 V	80 A @ 28.8 V	100 A @ 28.8 V
Number of battery outlets	3	3	3	3
Charge current second output	6 A, ±1 A	6 A, ±1 A	6 A, ±1 A	6 A, ±1 A
Charge current third output	6 A, ±1 A	6 A, ±1 A	6 A, ±1 A	6 A, ±1 A
Charge characteristic	IUoUo, automatic / 3-step for GEL/AGM/wet/lead acid batteries			
Charge voltage Bulk (25°C) *	28.8 V	28.8 V	28.8 V	28.8 V
Charge voltage Absorption (25°C) *	28.5 V	28.5 V	28.5 V	28.5 V
Charge voltage Float (25°C) *	26.5 V	26.5 V	26.5 V	26.5 V
Max. Absobtion time *	4 hours	4 hours	4 hours	4 hours
Max. Bulk time (start @ 13.25/26.5V) *	8 hours	8 hours	8 hours	8 hours
Min. Absorption time *	15 min.	15 min.	15 min.	15 min.
Enclosure type & dimensions (hwxwd in mm)	445 x 210 x 145	445 x 210 x 145	445 x 210 x 145	445 x 210 x 145
Enclosure type & dimensions (hwxwd in inch)	17.5 x 8.2 x 5.7	17.5 x 8.2 x 5.7	17.5 x 8.2 x 5.7	17.5 x 8.2 x 5.7
Weight	6.3 kg /13.89 lbs	6.3 kg /13.89 lbs	6.6 kg /14.55 lbs	6.6 kg /14.55 lbs
Battery capacity (recommendation)	100-500 Ah	150-750 Ah	300-800 Ah	400-1500 Ah
TECHNICAL SPECIFICATIONS				
Power factor (cos phi)	≥ 0.97	≥ 0.97	≥ 0.97	≥ 0.97
Full load consumption (230VAC)	1400 VA	2000 VA	2700 VA	3375 VA
Temperature compensation	By BTS-Battery temperature sensor, standard supply			
Voltage compensation	Yes, automatic	Yes, automatic	Yes, automatic	Yes, automatic
DC consumption with connected battery	< 5 mA	< 5 mA	< 5 mA	< 5 mA
Display	LCD	LCD	LCD	LCD
Temperature range	-25 to +60°C / -13 to 140°F, above 40°C derating			
Cooling	Vario fan and natural cooling to ensure optimized cooling			
Sound level	< 55dBA @ 1 m	< 55dBA @ 1 m	< 55dBA @ 1 m	< 55dBA @ 1 m
Protection degree	IP23	IP23	IP23	IP23
Optional	- Remote panel WP-SCC with current adjust - Touch panel 5, 7 or 10 inch			



Remote panel supplied as standard, with LED indicators



Optional remote panel with additional Charge Current Adjust button (electronic potentiometer)



UL/DNV/GL Certification Pending

